



MINI-MIST COLLECTOR

MODELS MM 500 AND MM 1200

Compact, machine-mountable mist collectors dedicated for use on combined machine operations.

- Three stage filtration for high filtration efficiency and optimum filter life
- Handles mist, smoke, and particulate applications up to 1200 cfm (2038 m³/h)
- Standard Minihelic[®] gauge indicates when filter maintenance is required
- Hinged access doors makes filter changeout easy and simple
- Provides a cleaner work environment for maximum productivity
- Helps support OSHA Clean Air Standards
- Optional HEPA filter is available on all models

Designed to filter contaminants from machining operations and industrial processes.

- CNC machining
- Grinding
- Turning
- Milling
- Drilling operations



MM 1200
with Optional HEPA

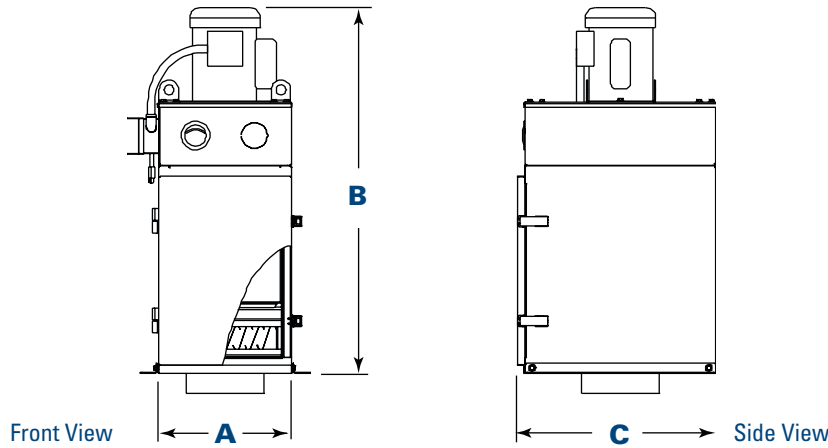


MM 1200
with Optional Junction Box

STANDARD FEATURES & AVAILABLE OPTIONS

STANDARD	OPTIONAL
Three-stage filtration	Inlet hose kit
Direct-drive fans — ½, 1, and 1½ hp	High efficiency first-stage filter (MM 1200 only)
Hinged access door	P-Trap (MM 1200 only)
High-loft, fine-fiber primary filter	Inlet plenum (MM 1200 only)
10-year warranty	Support legs (MM 1200 only)

DIMENSIONS & SPECIFICATIONS



Model	Description	Nominal Airflow*		1st Stage	2nd Stage	3rd Stage	Inlet Collars	Dimensions						Shipping Weight	
		cfm	m ³ /h					A		B		C		lb	kg
								in	mm	in	mm	in	mm		
MM 500	Machine-mountable, 3-stage filtration, ½ hp power pack	500	849	4" (101.6 mm) aluminum impinger	1" (25.4 mm) aluminum mesh	95% high-loft glass fiber filter	6" (152.4 mm), 8" (203.2 mm)	13.5	342.9	39.2	995.7	20.3	515.6	95	43.1
MM 500 with HEPA option	Machine-mountable, 3-stage filtration plus HEPA filter, ½ hp power pack	300	510	4" (101.6 mm) aluminum impinger	1" (25.4 mm) aluminum mesh	95% high-loft glass fiber filter	6" (152.4 mm), 8" (203.2 mm)	13.5	342.9	49.7	1262.4	20.3	515.6	120	54.4
MM 1200 1 hp	Machine-mountable, 3-stage filtration, 1 hp power pack	1000	1699	4" (101.6 mm) aluminum impinger	1" (25.4 mm) aluminum mesh	95% high-loft glass fiber filter	6" (152.4 mm), 8" (203.2 mm), 10" (254.0 mm)	25.5	647.7	41.4	1051.6	24.3	617.2	285	129.3
MM 1200 1 hp with HEPA option	Machine-mountable, 3-stage filtration plus HEPA filter, 1 hp power pack	800	1359	4" (101.6 mm) aluminum impinger	1" (25.4 mm) aluminum mesh	95% high-loft glass fiber filter	6" (152.4 mm), 8" (203.2 mm), 10" (254.0 mm)	25.5	647.7	54.7	1389.4	24.3	617.2	350	158.8
MM 1200 1½ hp	Machine-mountable, 3-stage filtration, 1½ hp power pack	1200	2038	4" (101.6 mm) aluminum impinger	1" (25.4 mm) aluminum mesh	95% high-loft glass fiber filter	6" (152.4 mm), 8" (203.2 mm), 10" (254.0 mm)	25.5	647.7	41.4	1051.6	24.3	617.2	290	131.5
MM 1200 1½ hp with HEPA option	Machine-mountable, 3-stage filtration plus HEPA filter, 1½ hp power pack	950	1614	4" (101.6 mm) aluminum impinger	1" (25.4 mm) aluminum mesh	95% high-loft glass fiber filter	6" (152.4 mm), 8" (203.2 mm), 10" (254.0 mm)	25.5	647.7	54.7	1389.4	25.3	642.6	355	161.0

* Based on clean filters.

Significantly improve the performance of your collector with genuine Donaldson Torit replacement filters and parts. **Call Donaldson Torit at 800-365-1331.**

Important Notice

Many factors beyond the control of Donaldson can affect the use and performance of Donaldson products in a particular application, including the conditions under which the product is used. Since these factors are uniquely within the user's knowledge and control, it is essential the user evaluate the products to determine whether the product is fit for the particular purpose and suitable for the user's application. All products, product specifications, availability and data are subject to change without notice, and may vary by region or country.



Donaldson Company, Inc.
Minneapolis, MN
donaldson.com • shop.donaldson.com

North America
Email: donaldson@donaldson.com
Phone: (USA): +1-800-365-1331 • (MX): +1-800-343-36-39

Australasia
Email: marketing.australia@donaldson.com
Phone: +61-2-4350-2000
Toll Free: (AU) +1800-345-837 • (NZ) +0800-743-387

F118152 ENG (02/20) Mini-Mist Collector ©2011-2020 Donaldson Company, Inc.
Donaldson, Torit and the color blue are marks of Donaldson Company, Inc. All other marks belong to their respective owners.

China
Email: info.cn@donaldson.com
Phone: +86-400-820-1038

Donaldson Europe B.V.B.A.
Email: IAF-europe@donaldson.com
Phone: +32-16-38-3811

India
Email: info.difs@donaldson.com
Phone: +91-124-4807-400 • +18001035018

Japan
Email: jp-ndi.ifsweb@donaldson.com
Phone: +81-42-540-4112

Korea
Email: iaf-kr@donaldson.com
Phone: +82-2-517-3333

Latinoamerica
Email: IndustrialAir@donaldson.com
Phone: +52-449-300-2442

South Africa
Email: SAMarketing@donaldson.com
Phone: +27-11-997-6000

Southeast Asia
Email: IAFSEA@donaldson.com
Phone: +65-6311-7373