

Donaldson® steam trap and condensate drains are designed for use on our P-EG filter housings.

The P-EG filter housing can be used to filter both steam and air or technical gases. The housing orientation is dependent on how the housing is used. When filtering steam, the flow goes from out-to-in across the filter element. When filtering air or technical gases, the airflow is in-to-out across the filter element.

The kits include a stainless steel, free floating lever drain as well as components to assemble with our P-EG housing. The float drain includes a hemispherical valve, seat, lever and guidepost that ensure a positive and leak-free seal under all conditions.



Steam Trap/Condensate Drains

FEATURES	BENEFITS
Kit includes all components needed for P-EG drain port installation	Easily adapts to Donaldson P-EG filter housing when a condensate drain or steam trap is required
Float drain includes hemispherical valve, seat, lever and guidepost	Ensures a proper leak-free seal under all conditions
No electricity required	Installation is easy and suitable for remote facility locations
Self-regulated	Float drain operates as needed

SPECIFICATIONS

MATERIALS	
Drain Body	304 SS
Ball Valve	316 SS
Hex Bushing (if applicable)	316 SS
Pipe Nipple (if applicable)	316 SS
Thread Adapter (if applicable)	316 SS

DESIGN PRESSURE/TEMPERATURE
500 psig @ 100°F
440 psig @ 500°F

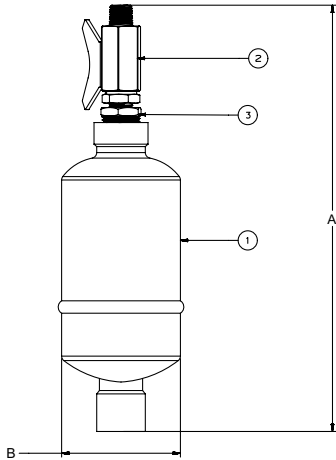
AVAILABLE CONNECTION TYPES	
INLET	OUTLET
1/2" NPT Male	1/2" FNPT
1/4" NPT Male	1/2" FNPT
1/4" BSP Male	1/2" FNPT

KIT INSTALLATION ORIENTATION
Vertical only

DIMENSIONS

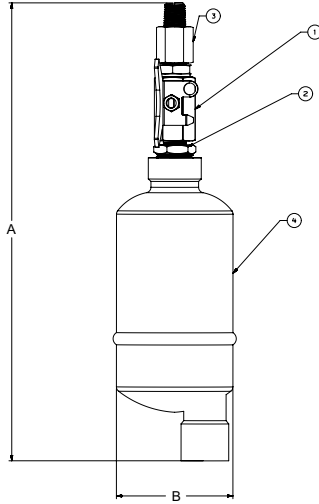
AG1109005

Drain Kit is used on:
P-EG 0006-0288 NPT Housing Drain Port



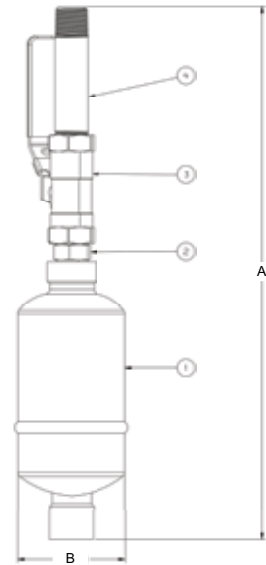
AG1109006

Drain Kit is used on:
P-EG 0006-0288 NPT Housing Vent Port
P-EG 0006-0288 ANSI Flg Housing Vent & Drain Port



AG1109030

Drain Kit is used on:
P-EG 0432 ANSI Flg Housing & larger Vent & Drain Port



Part Number	Dimensions (inches)	
	A	B
AG1109005	9.87	2.75
AG1109006	10.68	2.75
AG1109030	13.71	2.75

1/4 MNPT Inlet x 1/2 FNPT Outlet, SS

Item	Qty	Part Number	Description
1	1	AG1109004	Drain, 1/2 FNPT, 304 SS
2	1	AG1109001	Ball valve, 1/4 MNPT x 1/4 MNPT, 316 SS
3	1	AG1109002	Hex bushing 1/2 MNPT x 1/4 FNPT, 316 SS

1/4 BSPT Male Inlet x 1/2 FNPT Outlet, SS

Item	Qty	Part Number	Description
1	1	AG1109001	Ball valve, 1/4 MNPT x 1/4 MNPT, 316 SS
2	1	AG1109002	Hex bushing, 1/2 MNPT x 1/4 FNPT, 316 SS
3	1	AG1109003	Thread adapter, 1/4 BSPT male x 1/4 FNPT, 316 SS
4	1	AG1109004	Drain, 1/2 FNPT, 304 SS

1/2 MNPT Inlet x 1/2 FNPT Outlet, SS

Item	Qty	Part Number	Description
1	1	AG1109004	Drain, 1/2 FNPT, 304 SS
2	1	AG1109031	Hex nipple, 1/2 MNPT x 1/2 MNPT, 316 SS
3	1	AG1109032	Ball valve, 1/2 FNPT x 1/2 FNPT, 316 SS
4	1	AG1109033	Pipe nipple, 1/2 MNPT x 1/2 MNPT, 316 SS

Important Notice

Many factors beyond the control of Donaldson can affect the use and performance of Donaldson products in a particular application, including the conditions under which the product is used. Since these factors are uniquely within the user's knowledge and control, it is essential the user evaluate the products to determine whether the product is fit for the particular purpose and suitable for the user's application. All products, specifications, availability and data are subject to change without notice, and may vary by region or country.



Donaldson Company, Inc.
Minneapolis, MN

donaldson.com
shop.donaldson.com

Australasia 61-02-4350-2066
marketing.australia@donaldson.com

Brazil 55-11-4894-6035
vendas.brasil@donaldson.com

China 86-400-921-7032
info.cn@donaldson.com

EMEA 49-2129-569-0
cap-europe@donaldson.com

India 91-124-4807-400
indiaenquiries@donaldson.com

Japan 81-42-540-4123
ndi-ultrafilter-web@donaldson.com

Korea 82-2-517-3333
cap-kr@donaldson.com

Latin America 52-449-300-2442
industrialair@donaldson.com

North America 800-543-3634
processfilters@donaldson.com

South Africa 27-11-997-6000
samarketing@donaldson.com

Southeast Asia 65-6311-7373
sea.salesenquiry@donaldson.com

F117052 ENG (02/19) P-EG Steam Trap/Condensate Drains

© 2016 Donaldson Co., Inc. All Rights Reserved. Donaldson and the color blue are marks of Donaldson Company, Inc. All other marks belong to their respective owners. (Contains Donaldson proprietary technology.)