

### Stainless steel sanitary gas filter housing.

Donaldson® PG-EG sanitary gas filter housings are designed for purification of compressed air and technical gases in the pharmaceutical, biotechnology, chemical, electronic, and food & beverage industries.

PG-EG filter housings have:

- MTRs available upon request
- A broad selection of elements for many applications
- 3A certification on models 0006-0192
- Gas capacity ranging from 61 to 21,530 m<sup>3</sup>/hr at 6.9 bar (36 to 12,672 cfm at 100 psig)
- Steam capacity ranging from 100 to 17,100 lbs/hr at 50 psig
- Design specifications that are customizable upon request

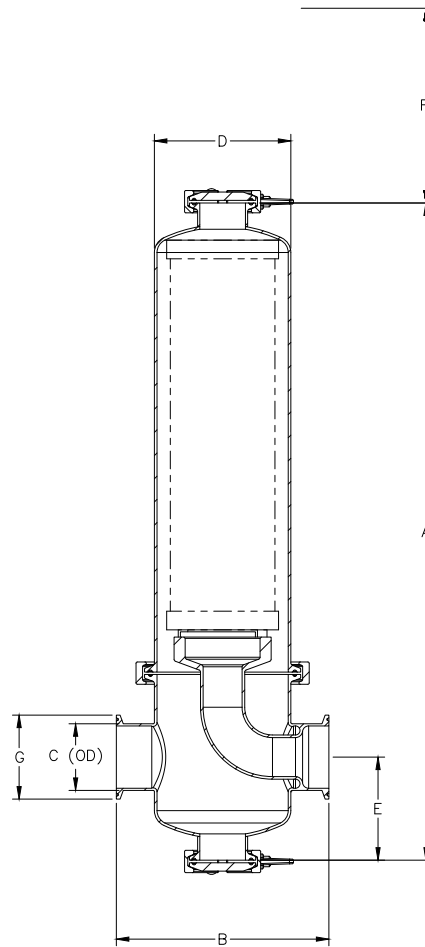


**PG-EG**

## SPECIFICATIONS

Model	Housing Material	Gasket	Pressure and Temp.	I/O Connection	Int. Surface Finish	Vent/ Drain Connection	BPE Compliant	Element	Part Number	
0006	316L	EPDM	16.01 bar @ 200° C (232 psig @ 392° F)	13 mm (1/2") Tri-Clamp	RA 15, BPE SF 4	13 mm (1/2") Tri-Clamp, Blind cap provided	Yes	UF, 03/10, Qty 1	AG1252657	
0018				19 mm (3/4") Tri-Clamp				UF, 05/20, Qty 1	AG1252658	
0032				25 mm (1") Tri-Clamp		Code 7, 05/30, Qty 1		AG1252659		
0072				51 mm (2") Tri-Clamp		Code 7, 10/30, Qty 1		AG1252660		
0144				64 mm (2 1/2") Tri-Clamp		Code 7, 20/30, Qty 1		AG1252661		
0192				76 mm (3") Tri-Clamp		Code 7, 30/30, Qty 1		AG1252662		
0432			10.35 bar @ 232° C (150 psig @ 450° F)	EPDM	RA 32	102 mm (4") ANSI Flange	13 mm (1/2") Tri-Clamp, Blind cap provided	No	UF, 20/30, Qty 3	AG1083101
0576						152 mm (6") ANSI Flange			UF, 30/30, Qty 3	AG1083201
0768						203 mm (8") ANSI Flange			UF, 30/30, Qty 4	AG1083301
1152						UF, 30/30, Qty 6			AG1083401	
1536	UF, 30/30, Qty 8	AG1083501								
1920	UF, 30/30, Qty 10	AG1083601								

## DIMENSIONS



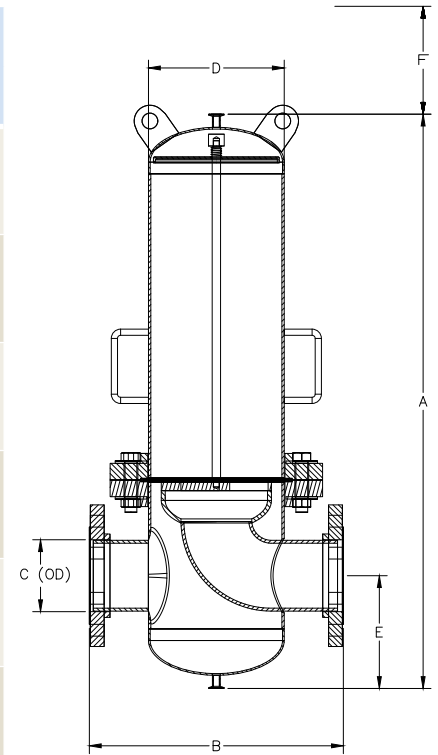
with Tri-Clamp connection 3-A certified

Part Number	Model	Volume (l)	Weight* (kg)	Gas Capacity (m <sup>3</sup> /hr)	Steam Capacity (kg/hr)	Dimensions (mm)						Element Connection, Size & Qty	
						A	B	øC	øD	E	F		øG
AG1252657	0006	0.61	1.6	61	45	227	120	13	70	64	128	25	UF, 03/10, Qty 1
AG1252658	0018	0.79	1.8	183	73	282	120	19	70	64	183	25	UF, 05/20, Qty 1
AG1252659	0032	1.89	3.9	367	181	368	162	25	104	80	234	50	Code 7, 05/30, Qty 1
AG1252660	0072	3.41	4.5	734	363	501	162	51	104	78	368	64	Code 7, 10/30, Qty 1
AG1252661	0144	5.41	5.9	1468	816	773	206	64	104	93	610	77	Code 7, 20/30, Qty 1
AG1252662	0192	7.38	7.7	2202	1134	1023	206	76	104	94	859	91	Code 7, 30/30, Qty 1

Part Number	Model	Volume (gal)	Weight* (lbs)	Gas Capacity (scfm)	Steam Capacity (lbs/hr)	Dimensions (inches)						Element Connection, Size & Qty	
						A	B	øC	øD	E	F		øG
AG1252657	0006	0.16	3.5	36	100	8.95	4.72	0.50	2.76	2.53	5.05	.98	UF, 03/10, Qty 1
AG1252658	0018	0.21	4.0	108	160	11.11	4.72	0.75	2.76	2.53	7.21	.98	UF, 05/20, Qty 1
AG1252659	0032	0.50	8.5	216	400	14.49	6.38	1.00	4.10	3.13	9.21	1.98	Code 7, 05/30, Qty 1
AG1252660	0072	0.90	10.0	432	800	19.72	6.38	2.00	4.10	3.09	14.48	2.52	Code 7, 10/30, Qty 1
AG1252661	0144	1.43	13.0	864	1,800	30.44	8.11	2.50	4.10	3.68	24.02	3.05	Code 7, 20/30, Qty 1
AG1252662	0192	1.95	17.0	1,296	2,500	40.28	8.11	3.00	4.10	3.72	33.82	3.58	Code 7, 30/30, Qty 1

\* Without filter element

Part Number	Model	Weight* (kg)	Gas Capacity (m³/hr)	Steam Capacity (kg/hr)	Dimensions (mm)						Element Connection, Size & Qty
					A	B	C**	D	E	F	
AG1083101	0432	64	4,893	2041	927	410	102	219	182	591	Code 7, 20/30, Qty 3
AG1083201	0576	83	6,524	2654	1181	410	102	219	182	845	Code 7, 30/30, Qty 4
AG1083301	0768	100	8,481	4173	1306	480	152	273	207	876	Code 7, 30/30, Qty 4
AG1083401	1152	153	13,048	5443	1372	540	152	324	227	927	Code 7, 30/30, Qty 6
AG1083501	1536	285	16,963	6759	1550	660	203	406	382	902	Code 7, 30/30, Qty 8
AG1083601	1920	285	21,530	7756	1453	660	203	406	290	902	Code 7, 30/30, Qty 10



with ANSI Flange connection ASME UM Code Stamped

\* Without filter element  
 \*\* ASME B16.5 Class 150

Part Number	Model	Weight* (lbs)	Gas Capacity (scfm)	Steam Capacity (lbs/hr)	Dimensions (inches)						Element Connection, Size & Qty	
					A	B	C**	D	E	F		
AG1083101	0432	140	2,880	4,500	36.49	16.14	4	8.62	7.17	23.25	Code 7, 20/30, Qty 3	UF Plug, 20/30, Qty 3
AG1083201	0576	183	3,840	5,850	46.49	16.14	4	8.62	7.17	33.25	Code 7, 30/30, Qty 4	UF Plug, 30/30, Qty 4
AG1083301	0768	220	4,992	9,200	51.41	18.90	6	10.75	8.15	34.50	Code 7, 30/30, Qty 4	UF Plug, 30/30, Qty 4
AG1083401	1152	338	7,680	12,000	54.02	21.26	6	12.75	8.92	36.50	Code 7, 30/30, Qty 6	UF Plug, 30/30, Qty 6
AG1083501	1536	628	9,984	14,900	61.03	25.98	8	16.0	15.02	35.50	Code 7, 30/30, Qty 8	UF Plug, 30/30, Qty 8
AG1083601	1920	628	12,672	17,100	57.19	25.98	8	16.0	11.41	35.50	Code 7, 30/30, Qty 10	UF Plug, 30/30, Qty 10

\* Without filter element  
 \*\* ASME B16.5 Class 150

PG-EG and PF-EG single filter element housings meet 3-A Sanitary Standards



**Important Notice**

Many factors beyond the control of Donaldson can affect the use and performance of Donaldson products in a particular application, including the conditions under which the product is used. Since these factors are uniquely within the user's knowledge and control, it is essential the user evaluate the products to determine whether the product is fit for the particular purpose and suitable for the user's application. All products, specifications, availability and data are subject to change without notice, and may vary by region or country.



Donaldson Company, Inc.  
 Minneapolis, MN

[donaldson.com](http://donaldson.com)  
[shop.donaldson.com](http://shop.donaldson.com)

**Australasia** 61-02-4350-2066  
[marketing.australia@donaldson.com](mailto:marketing.australia@donaldson.com)

**Brazil** 55-11-4894-6035  
[vendas.brasil@donaldson.com](mailto:vendas.brasil@donaldson.com)

**China** 86-400-921-7032  
[info.cn@donaldson.com](mailto:info.cn@donaldson.com)

**EMEA** 49-2129-569-0  
[cap-europe@donaldson.com](mailto:cap-europe@donaldson.com)

**India** 91-124-4807-400  
[indiaenquiries@donaldson.com](mailto:indiaenquiries@donaldson.com)

**Japan** 81-42-540-4123  
[ndl-ultrafilter-web@donaldson.com](mailto:ndl-ultrafilter-web@donaldson.com)

**Korea** 82-2-517-3333  
[cap-kr@donaldson.com](mailto:cap-kr@donaldson.com)

**Latin America** 52-449-300-2442  
[industrialair@donaldson.com](mailto:industrialair@donaldson.com)

**North America** 800-543-3634  
[processfilters@donaldson.com](mailto:processfilters@donaldson.com)

**South Africa** 27-11-997-6000  
[samarketing@donaldson.com](mailto:samarketing@donaldson.com)

**Southeast Asia** 65-6311-7373  
[sea.salesenquiry@donaldson.com](mailto:sea.salesenquiry@donaldson.com)