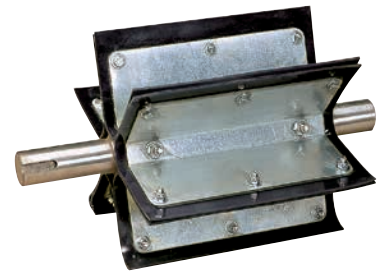




**FT Rotary Airlock**



**Various Models**

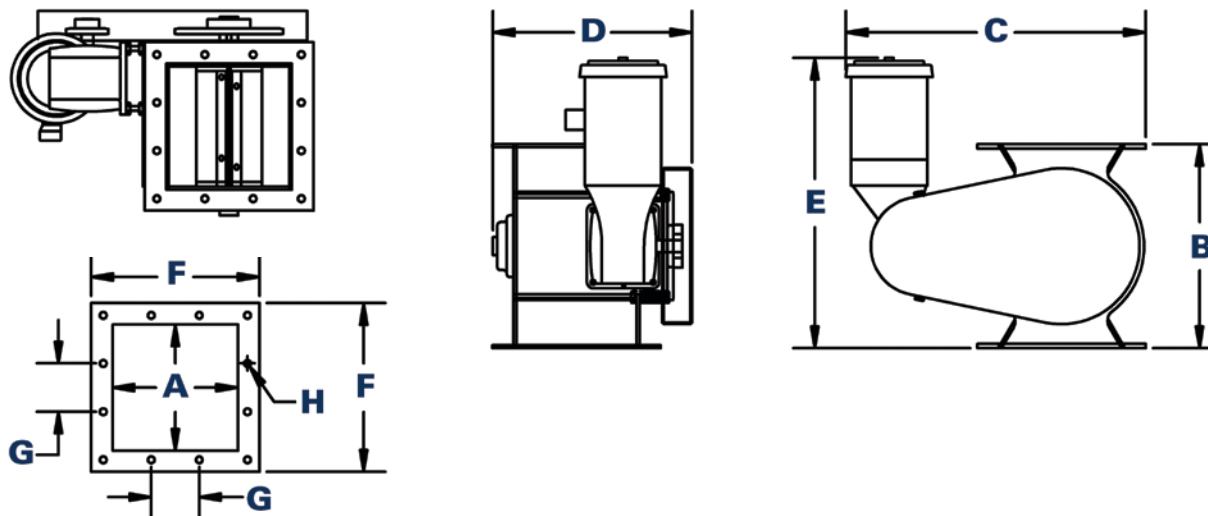


**Vane Detail**

The Donaldson® Torit® FT series airlock is an excellent choice for most dust filter and cyclone applications. The flexible tip design allows the airlock to handle stringy or fibrous products that jam other types of airlocks. Typical materials include paper, wood products, animal feed and other agricultural products. The flex tip material is also excellent in abrasive applications such as glass cullet and other natural minerals.

## **STANDARD FEATURES & AVAILABLE OPTIONS**

<b>STANDARD</b>	<b>OPTIONAL</b>
Full welded carbon steel construction	Slave drive kit for augers
Flanged inlet and outlet	Adapters for existing flanges
230 / 460 / 60 / 3 TEFC gear motor	Stainless construction
Heavy duty chain drive	Special wiper material
Six vane removable motor	
Replaceable polymer vanes	
Safety blue chain guard	
Standard metal preparation	
Primed and painted industrial white enamel	



## CONFIGURATIONS

MODEL	cfm*	m <sup>3</sup> /h*	HP	A		B		C		D		E		F		G		H	
				in	mm	in	mm	in	mm	in	mm	in	mm	in	mm	in	mm	in	mm
L10FT	2.7	5	1	10	254.0	17	431.8	25	635.0	18	457.2	24	609.6	14	355.6	4	101.6	0.5625	14.3
L12FT	4.8	8	1.5	12	304.8	21	533.4	28	711.2	20	508.0	26	660.4	17.25	438.2	4.875	123.8	0.5625	14.3
L16FT	12.1	21	3	16	406.4	28	711.2	38	965.2	25	635.0	32	812.8	22	558.8	5	127.0	0.5625	14.3
L24FT	40.6	69	5	24	609.6	42	1066.8	46	1168.4	33	838.2	42	1066.8	30	762.0	5.5	139.7	0.6875	17.5
L36FT	143.0	243	7.5	36	914.4	62	1574.8	60	1524.0	47	1193.8	62	1574.8	42	1066.8	5.625	142.9	0.6875	17.5

\* Cubic feet per minute (cubic meters per hour) based on 15 rpm and 50% cavity fill. Actual capacity will vary with material conditions.  
NOT FOR CONSTRUCTION

Significantly improve the performance of your collector with genuine Donaldson Torit replacement filters and parts. **Call Donaldson Torit at 800-365-1331.**

### Important Notice

Many factors beyond the control of Donaldson can affect the use and performance of Donaldson products in a particular application, including the conditions under which the product is used. Since these factors are uniquely within the user's knowledge and control, it is essential the user evaluate the products to determine whether the product is fit for the particular purpose and suitable for the user's application. All products, product specifications, availability and data are subject to change without notice, and may vary by region or country.



Donaldson Company, Inc.  
Minneapolis, MN  
[donaldsontorit.com](http://donaldsontorit.com) • [shop.donaldson.com](http://shop.donaldson.com)

**North America**  
Email: [donaldsontorit@donaldson.com](mailto:donaldsontorit@donaldson.com)  
Phone: (USA): +1-800-365-1331 • (MX): +1-800-343-36-39

**Australasia**  
Email: [marketing.australia@donaldson.com](mailto:marketing.australia@donaldson.com)  
Phone: +61-2-4350-2000  
Toll Free: (AU) +1800-345-837 • (NZ) +0800-743-387

F118147 ENG (02/20) FT Rotary Airlocks ©2011-2020 Donaldson Company, Inc.

Donaldson, Torit and the color blue are marks of Donaldson Company, Inc. All other marks belong to their respective owners.

**China**  
Email: [info.cn@donaldson.com](mailto:info.cn@donaldson.com)  
Phone: +86-400-820-1038

**Donaldson Europe B.V.B.A.**  
Email: [IAF-europe@donaldson.com](mailto:IAF-europe@donaldson.com)  
Phone: +32-16-38-3811

**India**  
Email: [info.difs@donaldson.com](mailto:info.difs@donaldson.com)  
Phone: +91-124-4807-400 • +18001035018

**Japan**  
Email: [jp-ndli.ifsw@donaldson.com](mailto:jp-ndli.ifsw@donaldson.com)  
Phone: +81-42-540-4112

**Korea**  
Email: [iaf-kr@donaldson.com](mailto:iaf-kr@donaldson.com)  
Phone: +82-2-517-3333

**Latinoamerica**  
Email: [IndustrialAir@donaldson.com](mailto:IndustrialAir@donaldson.com)  
Phone: +52-449-300-2442

**South Africa**  
Email: [SAMarketing@donaldson.com](mailto:SAMarketing@donaldson.com)  
Phone: +27-11-997-6000

**Southeast Asia**  
Email: [IAFSEA@donaldson.com](mailto:IAFSEA@donaldson.com)  
Phone: +65-6311-7373