

Donaldson.  
Torit®

**LP BAGHOUSE  
DUST COLLECTORS**

**DURA-LIFE™**  
Twice The Life Filter Bags



Smart Collector

# DEPENDABLE, REVERSE AIR ROUND BAGHOUSE

The Donaldson® Torit® LP Baghouse dust collector provides superior bag filter cleaning performance in a reverse air design. The LP advantage is a cleaning arm with a flow-stop plate that keeps air from flowing through the bag filters before and after cleaning. Dust from cleaned bag filters cannot be re-entrained onto adjacent bags, resulting in lower pressure drop and reduced energy costs. Combine this with Dura-Life™ “Twice the Life” bag filters as standard and the LP Baghouse is better than any other reverse air collector on the market today.

## THE LP FEATURES:

- Flow-stop plate cleaning arm reduces dust re-entrainment
- Award winning Dura-Life™ “Twice the Life” bag filters
- Single inlet, outlet and hopper reduces ducting and hopper outlet costs
- LP cleaning provides a constant process airflow and fewer moving parts, which reduces maintenance and disruptions to system airflow
- LP cleaning system requires no compressed air
- Optional live bottom hopper grinds dusts to prevent bridging in hopper



The LP cleaning arm features a flow-stop plate, which stops the airflow through recently cleaned bags to reduce dust re-entrainment

## SUPERIOR PERFORMANCE WITH DURA-LIFE™ “TWICE THE LIFE” BAG FILTERS

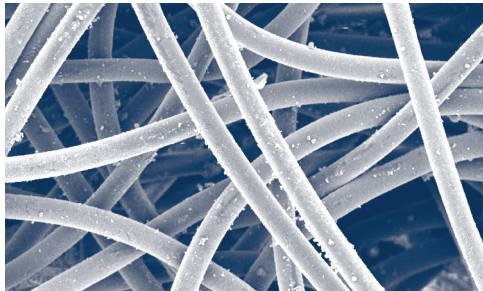
### DONALDSON'S INDUSTRIAL FILTRATION SERVICES

Now available with Donaldson's Industrial Filtration Services, an IoT enabled service designed to prompt timely maintenance, helping improve production uptime and reduce operating costs.

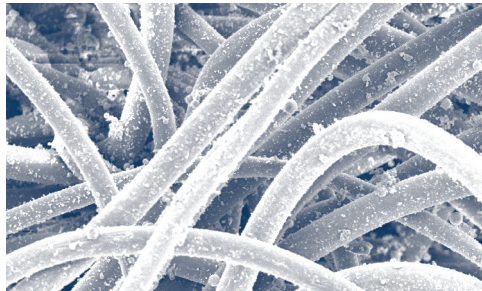
# DURA-LIFE™ – A TECHNOLOGY BREAKTHROUGH FOR BAG USERS

## STANDARD IN ALL DONALDSON TORIT LP BAGHOUSE COLLECTORS

Traditional 16 oz. (453.6 g) polyester bags are produced with a needling process that creates larger pores where dust can embed into the fabric, inhibiting cleaning and reducing bag life. Dura-Life bags are engineered with a unique hydroentanglement process that uses water to blend the fibers. This process provides a more uniform material with smaller pores, better surface loading, and better cleaning. These advantages provide twice the operating life before bags need to be replaced due to pressure drop. Longer life from Dura-Life bags lowers maintenance and operating costs and raises baghouse dust collection to a whole new level.



**Dura-Life Bag-Clean Air Side**  
(300x)



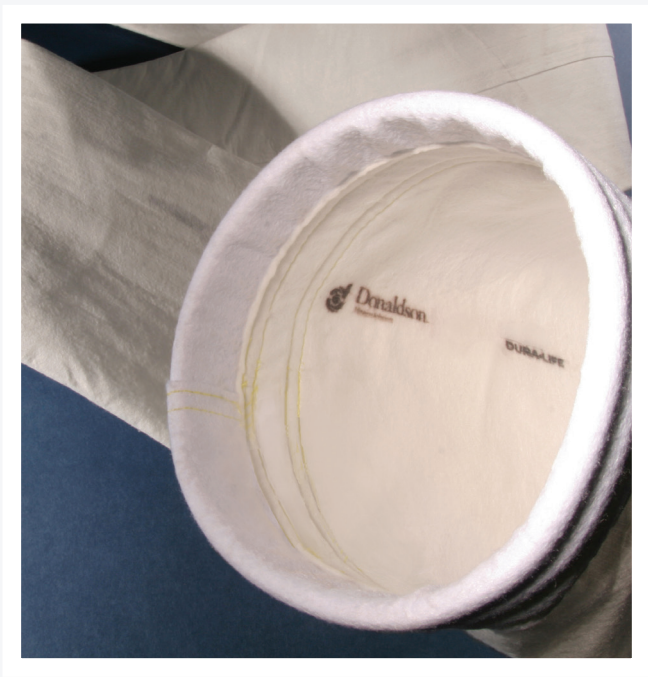
**Polyester Bag-Clean Air Side**  
(300x)

These photos were taken with a scanning electron microscope of bag media used in a collector that was filtering fly ash. The bags were removed after 2,700 hours of use. Air-to-media ratio was 4.5 to 1. Pressure drop was 6 in. on polyester bags and 2 in. on Dura-Life.

### DURA-LIFE BAGS PROVIDE BIG BENEFITS

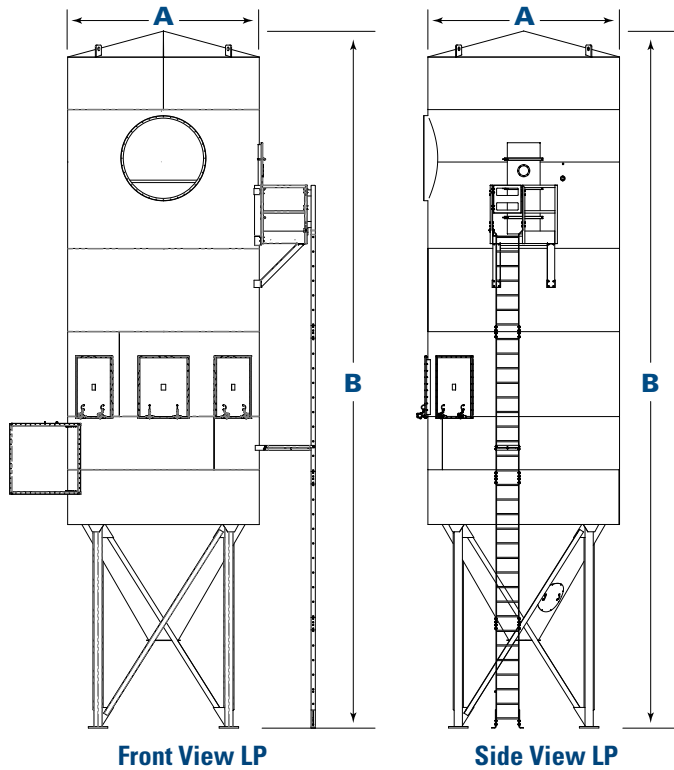
Dura-Life technology provides better surface loading and better pulse cleaning, resulting in:

- Two to three times longer bag life
- Energy savings due to lower pressure drop
- Reduced replacement bag costs due to fewer bag changeouts
- Reduced maintenance and operating costs due to fewer bag changeouts
- 30% fewer emissions based on EPA tests

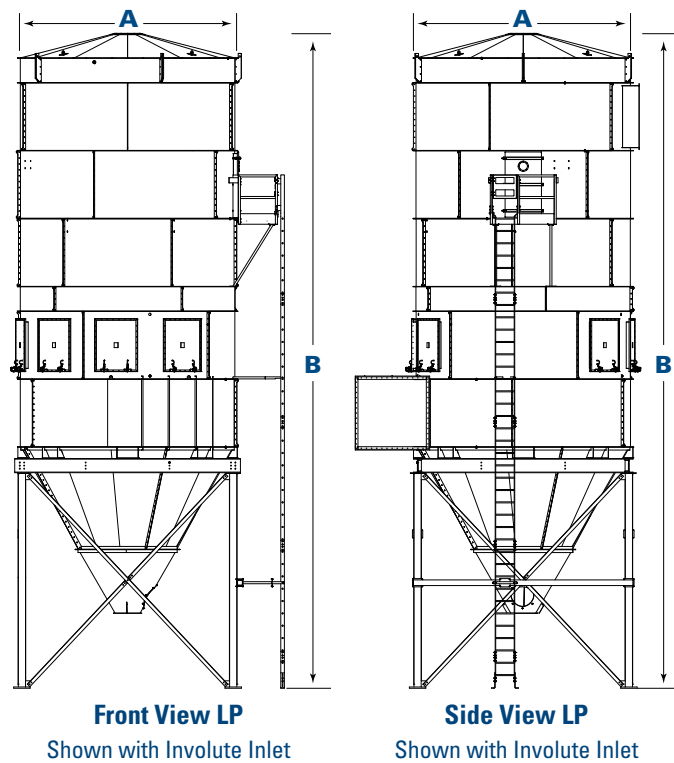


# DIMENSIONS & SPECIFICATIONS

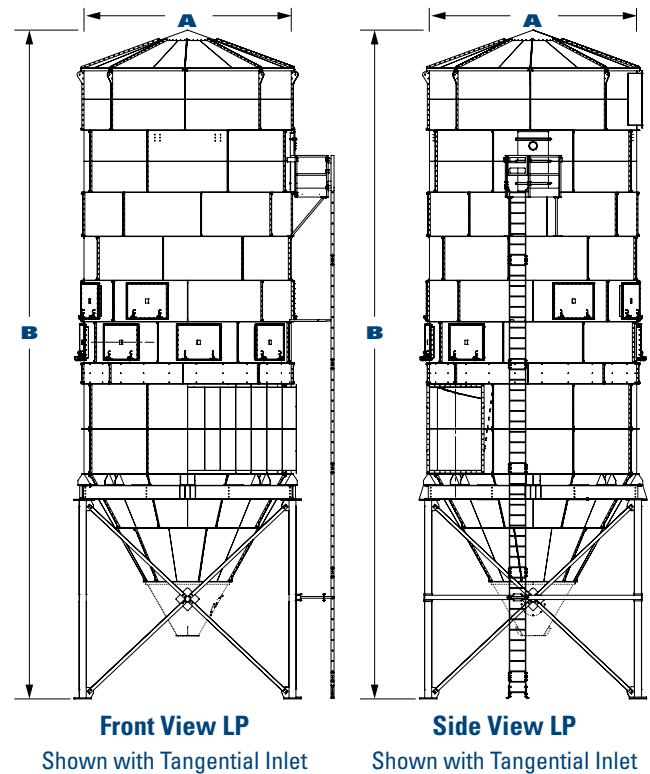
## MODEL 72LP - 252LP



## MODEL 312LP - 594LP



## MODEL 684LP - 882LP



Model	Nominal Airflow <sup>†</sup>		Cloth Area		Length of Bag Filters		Cleaning Fan (hp)	Shipping Weight*		Dimensions			
	cfm	m <sup>3</sup> /h	ft <sup>2</sup>	m <sup>2</sup>	ft	m		lb	kg	A**		B**	
										in	mm	in	mm
72LP10	9,600	16,307	1,200	111.5	10	0.9	7.5	8,500	3,855.5	85.9	2,181.9	437.6	11,115.0
72LP12	11,520	19,568	1,440	133.8	12	1.1	7.5	9,000	4,082.3	85.9	2,181.9	485.6	12,334.2
108LP10	14,400	24,461	1,800	167.2	10	0.9	10	11,000	4,989.5	101.3	2,573.0	478.3	12,148.8
108LP12	17,280	29,353	2,160	200.7	12	1.1	10	14,000	6,350.3	101.3	2,573.0	526.8	13,380.7
150LP10	20,000	33,973	2,500	232.3	10	0.9	10	13,500	6,123.5	116.5	2,959.1	485.6	12,334.2
150LP12	24,000	40,768	3,000	278.7	12	1.1	10	14,500	6,577.1	116.5	2,959.1	534.1	13,566.1
198LP10	26,400	44,844	3,300	306.6	10	0.9	15	16,000	7,257.5	131.8	3,347.7	512.2	13,009.9
198LP12	31,680	53,813	3,960	367.9	12	1.1	15	17,000	7,711.1	131.8	3,347.7	560.7	14,241.8
252LP10	33,600	57,075	4,200	390.2	10	0.9	15	19,500	8,845.1	147.1	3,736.3	517.8	13,152.1
252LP12	40,320	68,490	5,040	468.2	12	1.1	15	21,000	9,525.4	147.1	3,736.3	566.3	14,384.0
312LP10	41,600	70,664	5,200	483.1	10	0.9	20	N/A	N/A	182.4	4,632.0	589.2	14,966.0
312LP12	49,920	84,797	6,240	579.7	12	1.1	20	40,669	18,447	182.4	4,632.0	612.5	15,557.0
378LP10	50,400	85,612	6,300	585.2	10	0.9	25	N/A	N/A	182.4	4,632.0	589.2	14,966.0
378LP12	60,480	102,734	7,560	702.0	12	1.1	25	42,083	19,089	182.4	4,632.0	612.5	15,557.0
450LP10	60,000	101,919	7,500	696.7	10	0.9	30	N/A	N/A	193.0	4,902.0	602.2	15,296.0
450LP12	72,000	122,303	9,000	836.0	12	1.1	30	47,425	21,512	193.0	4,902.0	625.5	15,887.0
528LP10	70,400	119,585	8,800	817.5	10	0.9	30	N/A	N/A	208.3	5,291.0	613.6	15,586.0
528LP12	84,480	143,502	10,560	981.0	12	1.1	30	51,296	23,267	208.3	5,291.0	636.9	16,177.0
594LP10	79,200	134,533	9,900	919.7	10	0.9	30	N/A	N/A	222.9	5,661.0	634.6	16,119.0
594LP12	95,040	161,440	11,880	1,104.0	12	1.1	30	59,090	26,802	222.9	5,661.0	657.9	16,710.0
684LP10	91,200	154,917	11,400	1,059.0	10	0.9	40	63,500	28,804	238.8	6,066.0	746.8	18,969.0
684LP12	109,440	185,900	13,680	1,271.0	12	1.1	40	65,184	29,566	238.8	6,066.0	770.6	19,573.0
780LP10	104,000	176,660	13,000	1,208.0	10	0.9	40	85,300	38,692	269.3	6,841.0	800.9	20,343.0
780LP12	124,800	211,992	15,600	1,449.0	12	1.1	40	87,956	39,896	269.3	6,841.0	824.2	20,934.0
882LP10	117,600	199,761	14,700	1,366.0	10	0.9	50	87,000	39,463	269.3	6,841.0	800.9	20,343.0
882LP12	141,120	239,713	17,640	1,639.0	12	1.1	50	90,000	40,823	269.3	6,841.0	824.2	20,934.0

† Based on clean filters.

\* Legs included in weight.

\*\* Dimensions should be used as general estimates. Height is based on unit with 30”(762mm) clearance under 24 FT Rotary Airlock and explosion vents. Be sure to look at dimensions after options are selected.



LP baghouse dust collectors can be equipped with bin houses to shelter 40 yard (36.6 m) dumpsters and dust from adverse weather conditions. The bin houses come with ceiling-mounted leveling screws, which evenly distribute dust throughout the entire dumpster.

# PROVEN PERFORMANCE ON HUNDREDS OF APPLICATIONS



**Dual 594LP12 at Door Plant**  
180,000+ cfm/combined (305,757+ m<sup>3</sup>/h combined)



**882LP12 at Almond Plant**  
140,000 cfm/each (237,811 m<sup>3</sup>/h each)



**THREE 684LP12 at Almond Shelling Plant**  
100,000 cfm/each (169,865 m<sup>3</sup>/h each)



**528LP12 at Cabinet Factory**  
70,000 cfm (118,906 m<sup>3</sup>/h)



**TWO 594LP12 at Cabinet Plant**  
80,000 cfm/each (135,892 m<sup>3</sup>/h each)



**780LP12 at Coal Classifying Plant**  
75,000 cfm (127,339 m<sup>3</sup>/h)

# STANDARD FEATURES & AVAILABLE OPTIONS

Collector Design	Std	Opt
Clean-Side Bag Removal	X	
Walk-In Clean Air Plenum	X	
10-Gauge Carbon Steel Construction on 72LP - 252LP	X	
3/16" Carbon Steel Construction on Panelized 312LP - 684LP	X	
1/4" Carbon Steel Construction on Panelized 780LP - 882LP	X	
Heavy Duty 7 gauge plate tubesheet	X	
Heavy-Duty 3/16 Gauge Plate or Greater Tubesheet on Panelized 312LP - 882LP	X	
Rated - 20" (431.8 mm) Water Gauge on 72LP - 252LP	X	
Rated - 20" (508.0 mm) Water Gauge on 312LP - 882LP	X	
Internal Sweep Arm Cleaning Mechanism	X	
Explosion-Proof Reverse Air Fan & Motor*	X	
Aluminum Fan Wheel	X	
Flanged Inlet, Outlet & Body	X	
Easy-Lift Lifting Ears	X	
Tangential Inlet on 72LP - 252LP & 684LP - 882LP	X	
Involute Inlet on Panelized 312LP - 594LP	X	
Ladders and Platform Assemblies		X
Stainless Steel Construction		X
<b>Bags &amp; Cages</b>		
Dura-Life Twice the Life Felt Snap-In Bag Filters	X	
Galvanized Snap-In Bag Cage	X	
Variety of Filter Bag Media Options		X
<b>Paint System</b>		
Textured Multi-Coat Paint Finish with 2,000-Hour Salt Spray Performance	X	
Durable Industrial Finish Exterior	X	
Standard Colors: Torit Blue or Storm White	X	
Premium Duty Finish		X
Custom Colors		X

Hopper Design	Std	Opt
60° Hoppers	X	
Flanged Hopper Discharge (per specification)	X	
Hopper Access Panel	X	
Coupling for High Level Indicator		X
High Level Indicator		X
<b>Support Structure†</b>		
30" (762mm) Clearance Leg Pack (Beneath 24 FT)	X	
Custom Clearance Leg Packs		X
<b>Electrical Controls, Gauges and Enclosures</b>		
Magnehelic*** Gauge	X	
Photohelic*** Gauge		X
Photohelic® Gauge (Weatherproof)		X
Donaldson's Industrial Filtration Services		X
<b>Safety Features</b>		
Sprinkler Kit Assembly		X
Explosion Vents		X
Interior Light for Walk-In Plenum		X
Ladder Safety System		X
<b>Warranty</b>		
10-Year Warranty	X	

\* All 60 Hz motors 1 HP and above are compliant with EISA.

\*\* Magnehelic and Photohelic are registered trademarks of Dwyer Instruments, Inc.

† Donaldson Torit equipment is designed to IBC guidelines for specific wind speed exposure and seismic spectral acceleration at grade level. Contact your Donaldson Torit representative for detailed information available on the equipment's Spec Control drawings. Equipment may be customized to meet unique, customer-specified site requirements.

## Industry-Leading Technology

- Advanced filtration technology for optimal performance
- Reduced energy consumption and cost of ownership
- Advanced design and testing capabilities

## The Most Filters and Parts

- For every brand and style of collector
- Wide range of filtration media for any application
- 90,000 filters and parts in stock and ready to ship

## Unparalleled Support

- Live technical specialists
- Comprehensive pre- and post-sale support
- 40 manufacturing plants and 14 distribution centers worldwide

Significantly improve the performance of your collector with genuine Donaldson Torit replacement filters and parts. **Call Donaldson Torit at 800-365-1331.**

### Important Notice

Many factors beyond the control of Donaldson can affect the use and performance of Donaldson products in a particular application, including the conditions under which the product is used. Since these factors are uniquely within the user's knowledge and control, it is essential the user evaluate the products to determine whether the product is fit for the particular purpose and suitable for the user's application. All products, product specifications, availability and data are subject to change without notice, and may vary by region or country.



Donaldson.

Donaldson Company, Inc.  
Minneapolis, MN  
[donaldson.com](http://donaldson.com) • [shop.donaldson.com](http://shop.donaldson.com)

**North America**  
Email: [donaldsontorit@donaldson.com](mailto:donaldsontorit@donaldson.com)  
Phone: (USA): +1-800-365-1331

**Latinoamerica**  
Phone: +52-449-300-2442  
Email: [industrialair@donaldson.com](mailto:industrialair@donaldson.com)  
Toll Free: (CO) (57) 601-580-1611  
(CL) +800-914-544 • (PE) +800-712-10  
(BR) +55 (11) 99707-6689

**China**  
Email: [info.cn@donaldson.com](mailto:info.cn@donaldson.com)  
Phone: +86-400-921-7996

**Donaldson Europe B.V.**  
Email: [IAF-europe@donaldson.com](mailto:IAF-europe@donaldson.com)  
Phone: +32-16-38-3811

**India**  
Email: [info.difs@donaldson.com](mailto:info.difs@donaldson.com)  
Phone: +91-124-4807-400 • +18001035018

**Australasia**  
Email: [marketing.australia@donaldson.com](mailto:marketing.australia@donaldson.com)  
Phone: +61-02-4350-2066  
Toll Free: (AU) +1800-345-837 • (NZ) +0800-743-387

**Korea**  
Email: [contactus.kr@donaldson.com](mailto:contactus.kr@donaldson.com)  
Phone: +82-2-517-3333

**South Africa**  
Email: [SAMarketing@donaldson.com](mailto:SAMarketing@donaldson.com)  
Phone: +27-11-997-6000

**Southeast Asia**  
Email: [IAF.SEA@donaldson.com](mailto:IAF.SEA@donaldson.com)  
Phone: +65-6311-7373

**Japan**  
Email: [jp-ndl.ifsweb@donaldson.com](mailto:jp-ndl.ifsweb@donaldson.com)  
Phone: +81-42-540-4114



IMPORTANT NOTICE: Many factors beyond the control of Donaldson can affect the use and performance of Donaldson products in a particular application, including the conditions under which the product is used. Since these factors are uniquely within the user's knowledge and control, it is essential the user evaluate the products to determine whether the product is fit for the particular purpose and suitable for the user's application. All products, product specifications, availability and data are subject to change without notice, and may vary by region or country.

F118023 ENG (11/23) ©2023 Donaldson Company, Inc. All rights reserved. Donaldson Company, Inc. reserves the right to change or discontinue any model or specification at any time and without notice.