

118 mm Full-Flow Filter Assembly

Max Flow Rate

170 lpm / 45 gpm

See table for filter flow rates

Operating Pressure

1034 kPa / 150 psi

Oil Compatibility

Compatible with petroleum based fluids (hydrocarbon)

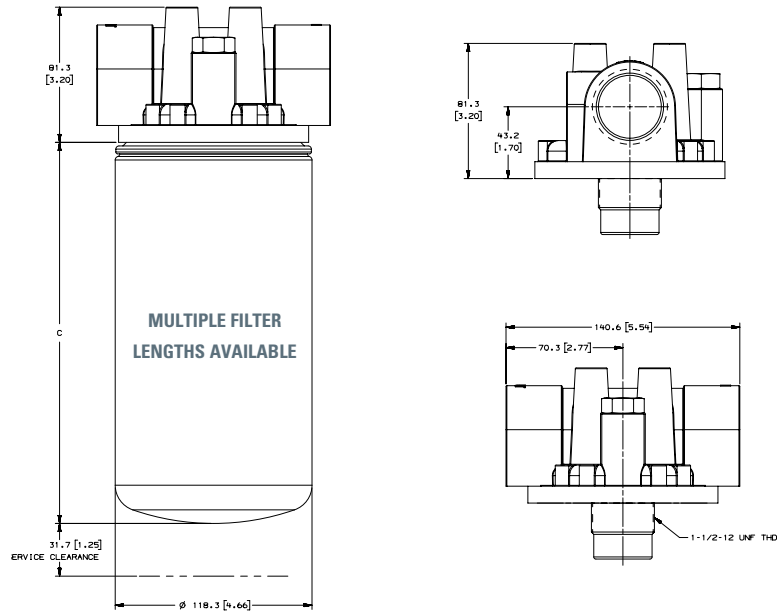
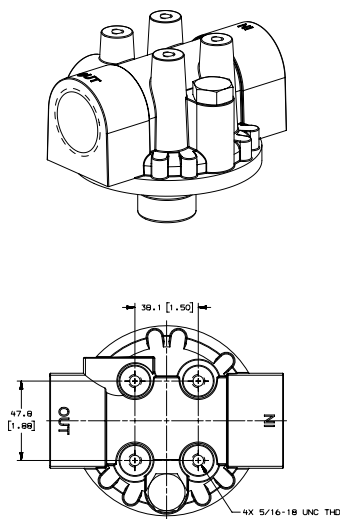
Pressure Relief Valve

Head includes a 2.76 bar / 40 psi relief valve



Head
1 1/4" - 1 1/2" NPTF Ports
PART NO. P174780

Specification Illustrations





Filter Selection Chart

Maximum Recommended Flow Rate		(C) Filter Length		Media Type	Efficiency @ 99% per ISO 4548-12	Part Number	Performance Curve
lpm	gpm	mm	in				
95	25	157.9	6.22	Synteq Synthetic	16 µm	DBL7947	B
					23 µm	P550947	A
132	35	198.8	7.83	Cellulose	40 µm	P551381	C
		227.0	8.94		23 µm	P550671	D
170	45	260.0	10.24	Synteq Synthetic	16 µm	DBL7670	E
				Cellulose	23 µm	P551670	E

Performance Curves

