



TT15/30/60

Max Flow: 50 gpm (189 lpm)



## TT15/30/60 Tank Top Return Spin-On Filters

### Working Pressures to:

100 psi / 690 kPa / 6.9 bar

### Rated Static Burst to:

250 psi / 1725 kPa / 17.2 bar

### Flow Range To:

50 gpm / 189 lpm



### Applications

- In-Plant Systems
- Mobile Equipment
- Return Lines



### Features

TT15/30/60 Tank Top filters are designed for industrial service. Aluminum casting and nitrile seals standard. Used with mineral and synthetic based fluids, these return filters conveniently mount to tank tops with four screws. Common holes are used to mount the filter head to the reservoir without welding. A down pipe is attached to a threaded port and the gasket surface provides a watertight seal. Each filter provides a new bypass valve and anti-drainback valve for easy filter change.

### Beta Rating

- Performance to  $\beta_{7(c)}=2$

### Porting Size Options

- 3/4", 1 1/2" NPT

### Replacement Filter Lengths

- 5.83" / 148mm TT15
- 7.05" / 179mm TT30
- 9.29" / 236mm TT60

### Standard Bypass Ratings

- 22 psi / 150 kPa / 1.5 bar

### Assembly Weight

- 2.0 lbs / 0.9 kg TT15
- 4.3 lbs / 2.0 kg TT30
- 5.2 lbs / 2.4 kg TT60

### Operating Temperatures

- -22°F to 225°F / -30°C to 107°C

### Filter Collapse Ratings

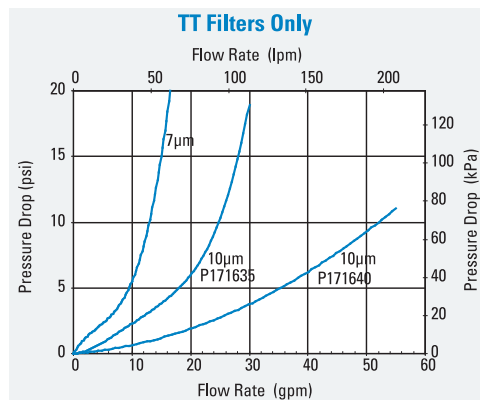
- 250 psid / 1725 kPa / 17.2 bar

## TT15/30/60 Components

### Filter Choices

Media Type	$\beta_{x(c)} = 2$	Length		Part No.	Comments
	Rating based on ISO 16889	in	mm		
Cellulose	7 $\mu$ m	5.36	136	P565242	TT15 Series
	10 $\mu$ m	7.05	179	P171635	TT30 Series
	10 $\mu$ m	9.29	236	P171640	TT60 Series

## Performance Data



## Head Choices

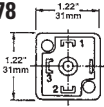
Port Size	Bypass Rating*	Gauge Ports (drill, tap, plug)	Gauge Port Location	Part No.	Description	Head to Tank** Seal Part No.
3/4" NPT	22 psi / 150 kPa / 1.5 bar	(2) 1/8" NPT	upstream side	P564038	TT15 Series	P563975
1 1/2" NPT	22 psi / 150 kPa / 1.5 bar	(2) 1/8" NPT	upstream side	P563973	TT30/60 Series	P563976

Note: \* Bypass valve is integral part of replacement filter. \*\* Included with head. On a return line system the gauge port should be on the upstream side. We suggest a 25 psi bypass. If head is used on a suction line, the gauge port should be on the downstream side very low bypass.

## Optional Filter Service Indicators

Part No.	Pressure Range	Use With Series	Type
P563300	0 to 30 psi	TT15/30/60	Return indicator, color-coded
P563978	5 to 30 psi field adj.*	TT15/30/60	Return indicator, electrical
P579716	0 to 100 psi	TT15/30/60	Return indicator, color-coded

### P563978

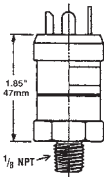


#1 Common; #2 Normally Closed; #3 Normally Open

#### Instructions

1. Remove DIN adaptor
2. Remove small brass screw
3. Using 1/8" allen wrench adjust clockwise to increase set point/counter-clockwise to decrease set point
4. NO / NC

Adjustment screw located in center of electric prongs

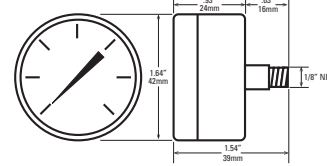


### 1/8" - 27 NPTF threads

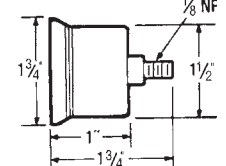
- Built in snubber to minimize damage caused by pressure surges
- Compatible with petroleum and mineral-based fluids
- Anti-splash

Notes: \*NOT PRESET: Setting adjustable for desired application

### P579716



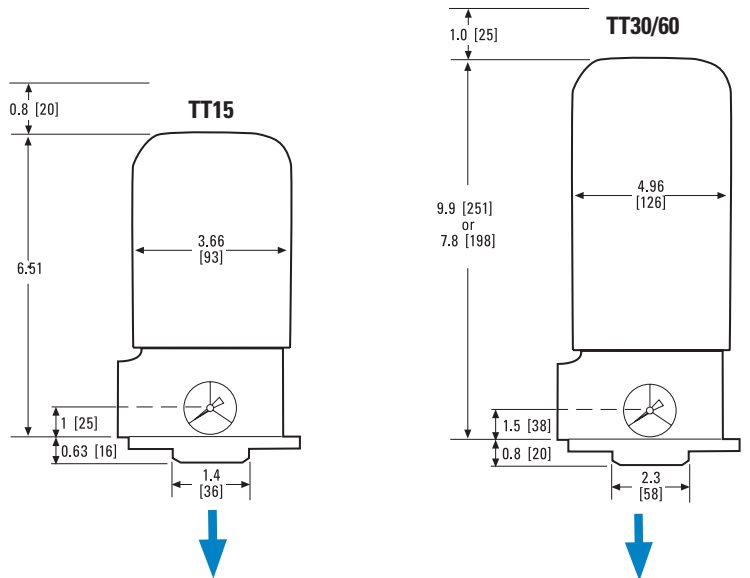
### P563300



## TT 15 & 30/60 Specification Illustrations

### ASSEMBLY - SIDE VIEW

All dimensions are shown in inches [millimeters].



### HEAD - TOP VIEW

